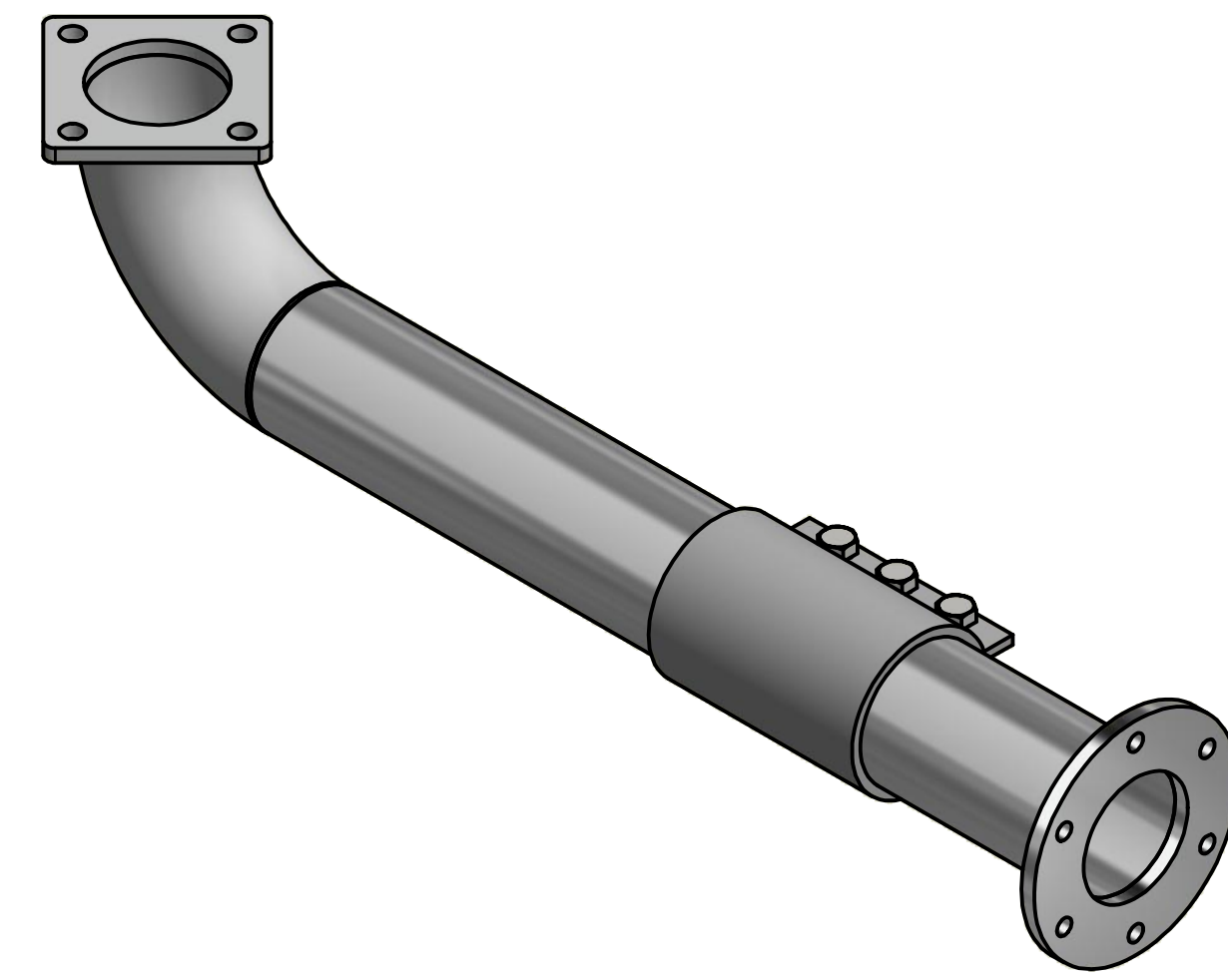
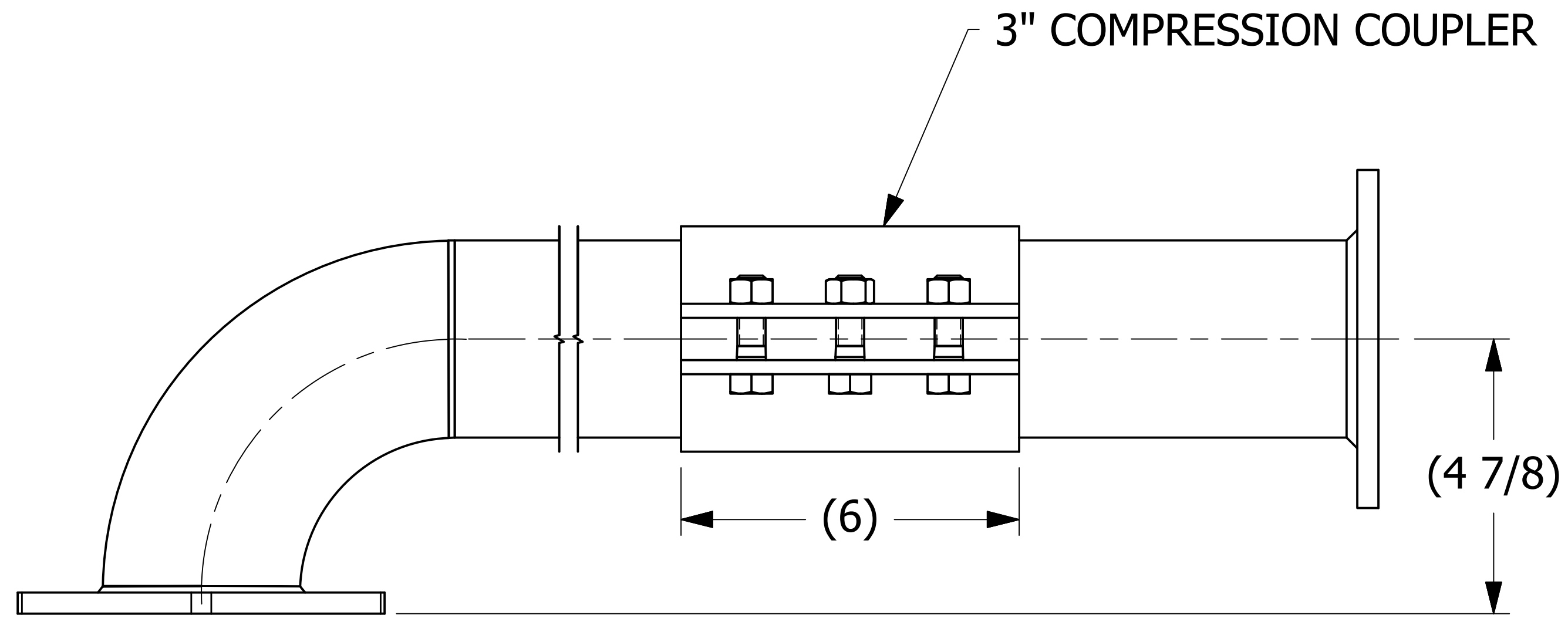
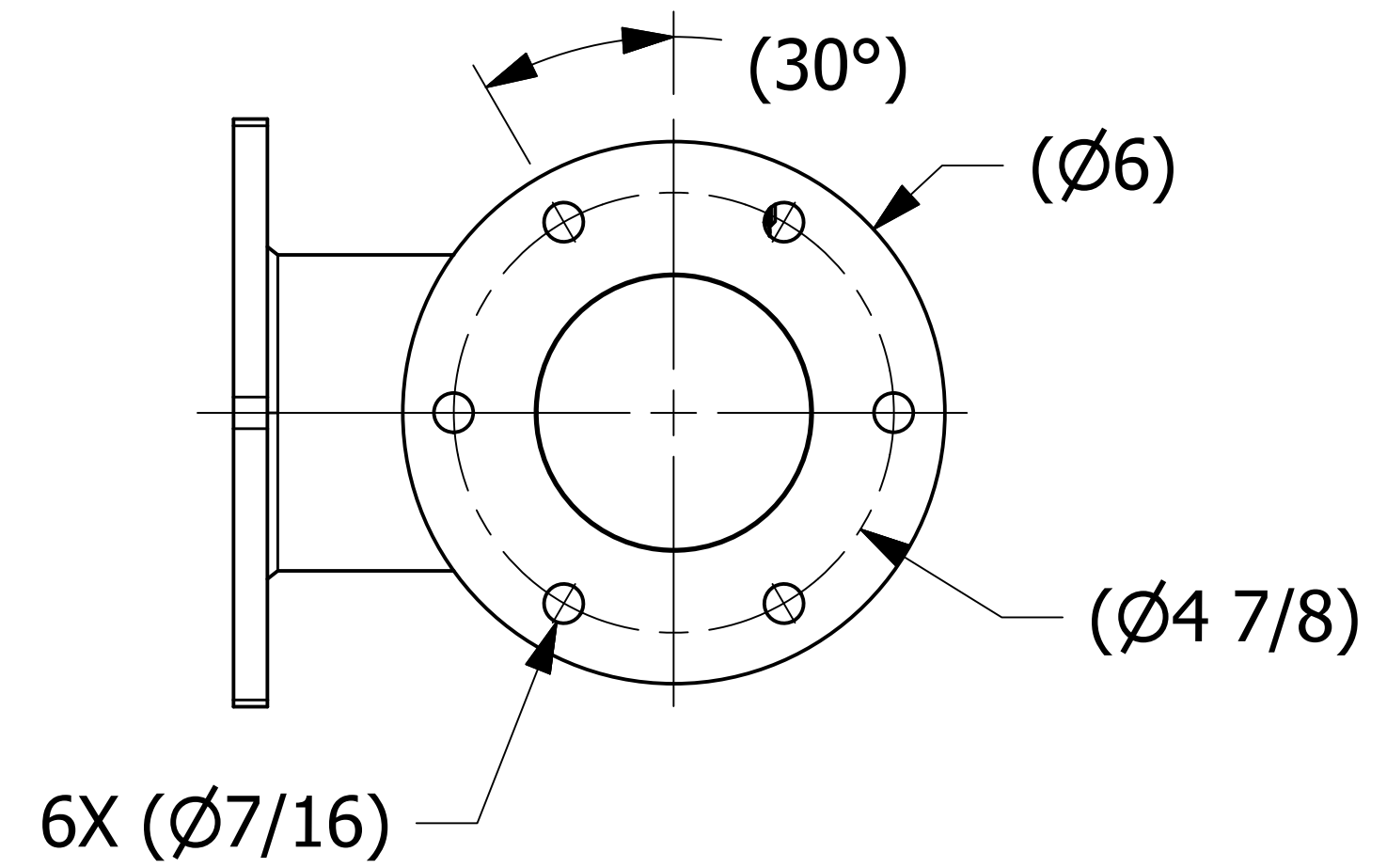
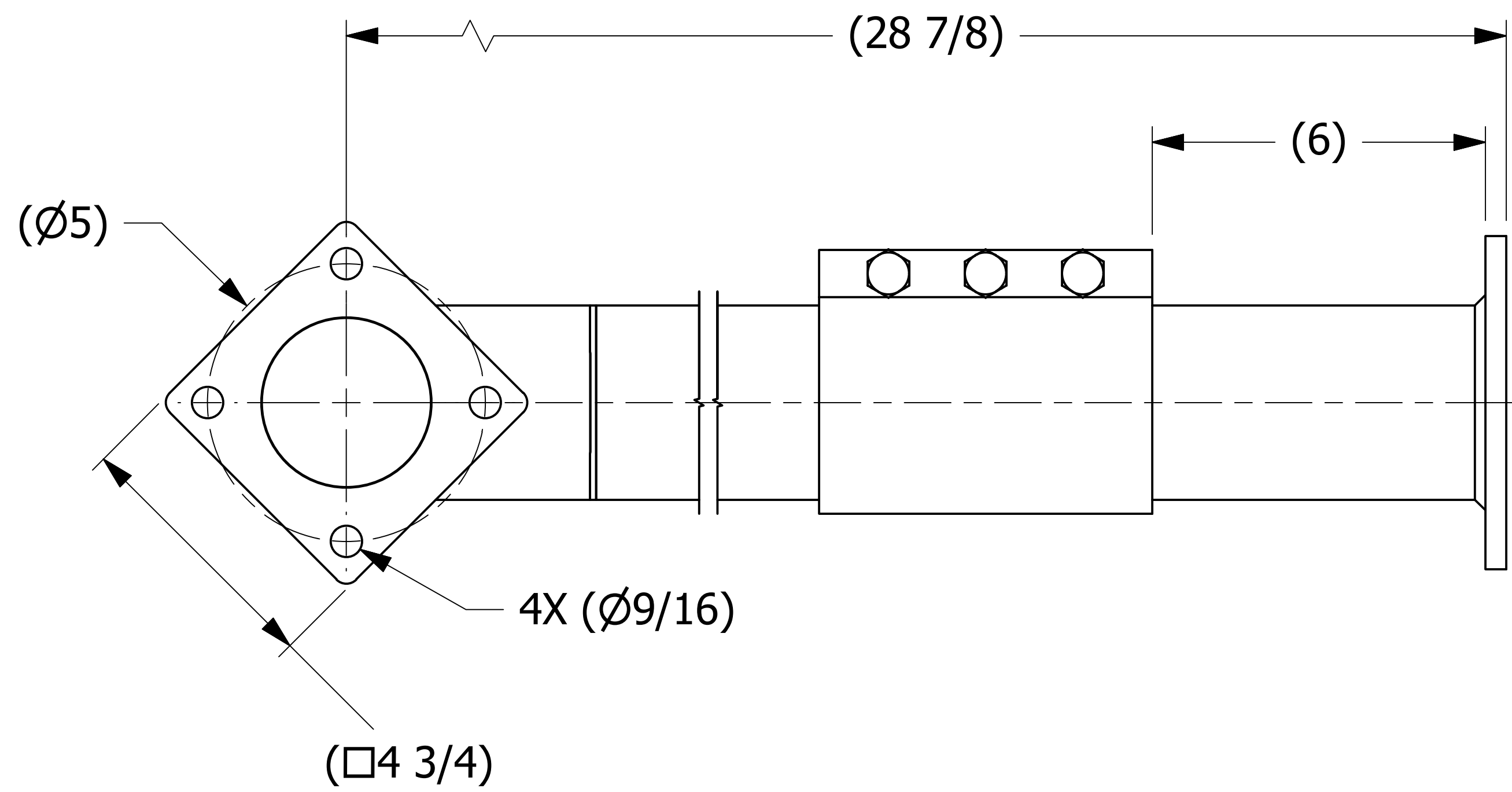


SALES DRAWING SALES DRAWING SALES DRAWING SALES DRAWING SALES DRAWING SALES DRAWING SALES DRAWING SALES DRAWING

SALES DRAWING SALES DRAWING SALES DRAWING SALES DRAWING SALES DRAWING SALES DRAWING SALES DRAWING SALES DRAWING



ISOMETRIC VIEW



NOTE:  
PIPE IS 3" SCHEDULE 40.

G	TAK	11/13/20	202011131519	TAK
REV	BY	DATE	REF #	PUB

UNLESS OTHERWISE SPECIFIED DIMENSIONAL TOLERANCES FRACTIONAL: ±1/16 X.XX: ±.03 X.XXX: ±.015 ANGULAR: ±1° DEBURR ALL SHARP EDGES. ALL MACHINED SURFACES TO HAVE A 125 RMS FINISH UNLESS NOTED OTHERWISE. THIRD ANGLE PROJECTION	DRAWN BY:	ACC
	CHECKED BY:	
	PROTOTYPE DATE:	2/15/2002
	APPROVED FOR PRODUCTION BY:	ACC
	PRODUCTION DATE:	2/15/2002
	SIZE:	D
DRAWING #:	16707	

<b>SALCO PRODUCTS, INC.</b>		
PART NAME: <b>PD AIR PIPE ASSEMBLY 3"X90°</b>		
MATERIAL: <b>ALUMINUM/CS/NEOPRENE</b>		
PROJECT #: <b>010910</b>	SHEET #: <b>1 OF 1</b>	SCALE: <b>1:2</b>
PART #: <b>PD3A90F02</b>		